



Simple Set (PIC Valves) — Submittal/Technical Data

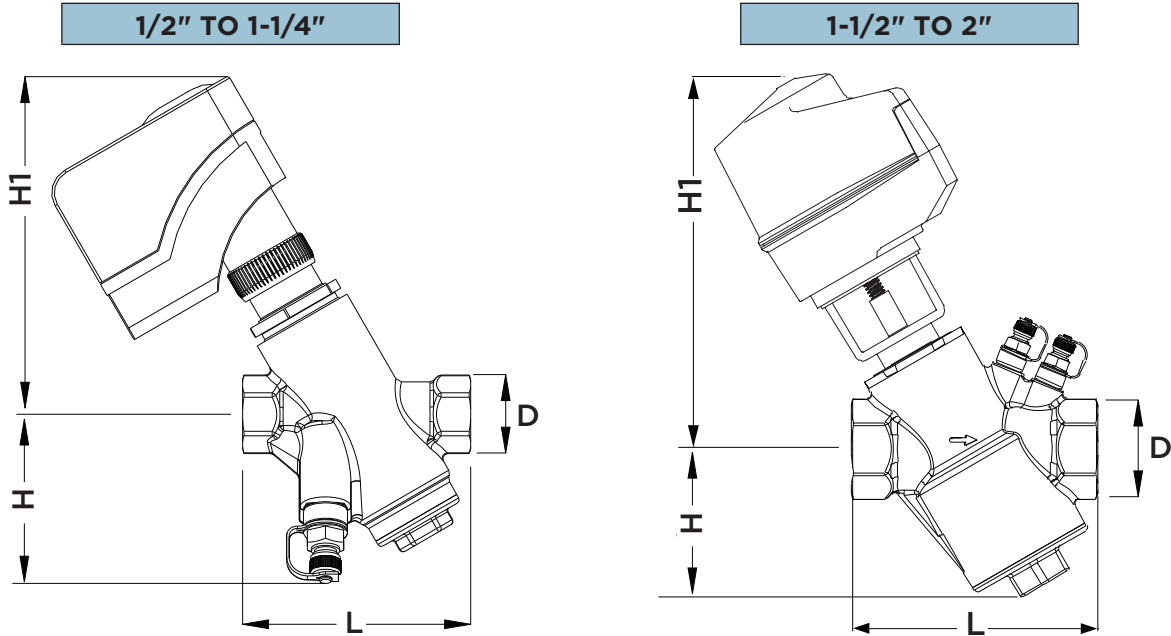
1/2" to 2" — Fail Safe & Non-Fail Safe — On/Off, Floating & Modulating

Simple Set - Valve Body Specifications

Technical Specifications - Valve Body		
Service	Hot Water, Chilled Water, Up to 50% Glycol	
Size Range	2-Way - 1/2" through 2" (DN 15 to 50)	
Body Cold Working Pressure Ratings	375 PSI (25 Bar)	
Media Temperature Range	32°F to 248°F (0°C to 120°C)	
Operational ΔP	Minimum	Varies by size. See pages SS-3 & SS-4
	Maximum	58 PSID (400kPa)
Max. Close-Off Pressure	58 PSID (400kPa)	
Valve Operation	Push Down to Close, Normally Open	
Shut-Off Leakage	ANSI Class IV (0.01%)	
Stroke	1/2" to 1-1/4" = 0.22" (5.5mm) 1.5" to 2" = 0.59" (15mm)	
Rangeability	>100:1	
End Connections	NPT Threaded	
Materials	Body	DZR Brass
	Flow Regulation Unit	PPS 40% Glass
	Diaphragm	HNBR
	Spring	Stainless Steel
	O-Rings	EPDM
Weights (Valve Body Only)	1/2"	1.98 lb. (.90 kg)
	3/4"	1.98 lb. (.90 kg)
	1"	2.21 lb. (1.00 kg)
	1-1/4"	3.35 lb. (1.60 kg)
	1-1/2"	6.34 lb. (2.90 kg)
	2"	8.70 lb. (4.00 kg)
Warranty	5 Years limited from time of shipment.	
Approvals & Certifications	PED 2014/68/EU, ROHS 2011/65/EU	

Disclaimer - The performance specifications are nominal and conform to acceptable industry standards. For application at conditions beyond these specifications, consult the local Bray office. Bray, Inc. shall not be liable for damages resulting from misapplication or misuse of its products.

Simple Set - Valve Actuator Dimensions



Simple Set - Technical Data and Dimensions			1/2"	3/4"	1"	1-1/4"	1-1/2"	2"
Flow Rate	Liters per hour (l/h)	Low Flow Cartridge	75 - 700	77 - 745	-	-	-	-
		Std. Flow Cartridge	291 - 1576	305 - 1821	400 - 1830	690 - 3000	541 - 7582	596 - 14700
	Gallons per minute (gpm)	Low Flow Cartridge	.3 - 3.1	.3 - 3.3	-	-	-	-
		Std. Flow Cartridge	1.3 - 6.9	1.3 - 8.0	1.8 - 8.1	3.0 - 13.2	2.4 - 33.4	2.6 - 64.7
Dimensions in., (mm)	L		3.62, (92)	3.62, (92)	3.78, (96)	5.0, (128)	5.71, (145)	6.34, (161)
	H		2.68, (68)	2.68, (68)	2.68, (68)	3.03, (77)	3.43, (87)	3.70, (94)
	H1		7.88, (200)	7.88, (200)	7.88, (200)	6.04, (153)	16.00, (406)	15.25, (387)
	D		1.18, (30)	1.42, (36)	1.73, (44)	2.05, (52)	2.33, (59)	3.07, (78)
Weight	lbs., (kg)		2.50, (1.14)	2.50, (1.14)	2.60, (1.18)	4.10, (1.86)	7.90, (3.60)	10.30, (4.70)

Dimensions may vary, depending on the actuator.
 Dimensions are shown for the largest actuator currently available.
 Dimensions are shown in inches and are approximate.

Simple Set - Model Number Matrix

SS	Prefix: Simple Set	Valve Series
1	Valve Size (1/2" to 2")	Valve Size
N	End Connections - NPT	End Connections
S	Flow Range Pressure Cartridge - (L) Low or (S) Standard	Cartridge
X	Flow Setting GPM. See Charts on Page SS-10 & SS-11	GPM
/	/	/
	PA24-27 24V On/Off & Floating - Non-Fail Safe	Actuator Selection
	PA24-27-FS 24V On/Off & Floating - Fail Safe	
	PAM24-27 24V Modulating - Non-Fail Safe	
	PAM24-27-FS 24V Modulating - Fail Safe	
	PAM24-100 24V On/Off, Floating & Modulating - Non-Fail Safe	
	PAM24-100-FS 24V On/Off, Floating & Modulating - Fail Safe	
SS 1 N S 29.7 /	PA24-27 2" Simple Set Body, NPT End Connections, Standard Flow Rate, GPM of 29.7, 24V PA Series Actuator	Example

Simple Set - Flow Rate Charts

1/2"		1/2" Low Flow Rate Cartridge		
Model Number	Pre-Set	Min. PSI	Flow l/h	Flow GPM
SS-050-N-L-0.3	0.3	2.2	75.0	0.3
SS-050-N-L-0.4	0.4	2.2	81.8	0.4
SS-050-N-L-0.5	0.6	2.2	106.7	0.5
SS-050-N-L-0.6	0.8	2.2	134.0	0.6
SS-050-N-L-0.7	1	2.2	161.3	0.7
SS-050-N-L-0.8	1.2	2.5	190.8	0.8
SS-050-N-L-1.0	1.4	2.5	222.6	1.0
SS-050-N-L-1.1	1.6	2.5	256.7	1.1
SS-050-N-L-1.3	1.8	2.5	290.7	1.3
SS-050-N-L-1.4	2	2.5	327.1	1.4
SS-050-N-L-1.6	2.2	2.5	365.7	1.6
SS-050-N-L-1.8	2.4	2.5	404.3	1.8
SS-050-N-L-2.0	2.6	2.5	442.9	2.0
SS-050-N-L-2.1	2.8	2.5	481.5	2.1
SS-050-N-L-2.3	3	2.5	520.1	2.3
SS-050-N-L-2.5	3.2	2.5	556.5	2.5
SS-050-N-L-2.6	3.4	2.5	592.8	2.6
SS-050-N-L-2.8	3.6	2.5	629.1	2.8
SS-050-N-L-3.0	3.8	2.5	672.3	3.0
SS-050-N-L-3.1	4	2.5	699.5	3.1

1/2"		1/2" Standard Flow Rate Cartridge		
Model Number	Pre-Set	Min. PSI	Flow l/h	Flow GPM
SS-050-N-S-1.3	0.3	2.8	291.0	1.3
SS-050-N-S-1.4	0.4	2.8	308.0	1.4
SS-050-N-S-1.7	0.6	2.8	378.0	1.7
SS-050-N-S-2.0	0.8	2.8	459.0	2.0
SS-050-N-S-2.5	1	2.8	575.0	2.5
SS-050-N-S-2.9	1.2	2.8	654.0	2.9
SS-050-N-S-3.4	1.4	2.8	765.0	3.4
SS-050-N-S-3.9	1.6	2.9	875.0	3.9
SS-050-N-S-4.3	1.8	2.9	977.0	4.3
SS-050-N-S-4.7	2	2.9	1066.0	4.7
SS-050-N-S-5.0	2.2	3.0	1145.0	5.0
SS-050-N-S-5.3	2.4	3.0	1213.0	5.3
SS-050-N-S-5.6	2.6	3.0	1274.0	5.6
SS-050-N-S-5.9	2.8	3.0	1329.0	5.9
SS-050-N-S-6.1	3	3.0	1390.0	6.1
SS-050-N-S-6.3	3.2	3.1	1424.0	6.3
SS-050-N-S-6.5	3.4	3.2	1466.0	6.5
SS-050-N-S-6.6	3.6	3.2	1505.0	6.6
SS-050-N-S-6.8	3.8	3.3	1542.0	6.8
SS-050-N-S-6.9	4	3.3	1576.0	6.9

3/4"		3/4" Low Flow Rate Cartridge		
Model Number	Pre-Set	Min. PSI	Flow l/h	Flow GPM
SS-075-N-L-0.3	0.3	2.3	77.2	0.3
SS-075-N-L-0.4	0.4	2.3	81.8	0.4
SS-075-N-L-0.5	0.6	2.3	106.7	0.5
SS-075-N-L-0.6	0.8	2.3	136.3	0.6
SS-075-N-L-0.7	1	2.3	168.1	0.7
SS-075-N-L-0.9	1.2	2.6	197.6	0.9
SS-075-N-L-1.0	1.4	2.6	227.1	1.0
SS-075-N-L-1.2	1.6	2.6	268.0	1.2
SS-075-N-L-1.3	1.8	2.6	304.3	1.3
SS-075-N-L-1.5	2	2.6	345.2	1.5
SS-075-N-L-1.7	2.2	2.6	388.4	1.7
SS-075-N-L-1.9	2.4	2.6	431.5	1.9
SS-075-N-L-2.1	2.6	2.6	474.7	2.1
SS-075-N-L-2.3	2.8	2.6	517.8	2.3
SS-075-N-L-2.5	3	2.6	567.8	2.5
SS-075-N-L-2.6	3.2	2.6	599.6	2.6
SS-075-N-L-2.8	3.4	2.6	635.9	2.8
SS-075-N-L-3.0	3.6	2.6	672.3	3.0
SS-075-N-L-3.1	3.8	2.6	706.4	3.1
SS-075-N-L-3.3	4	2.6	745.0	3.3

3/4"		3/4" Standard Flow Rate Cartridge		
Model Number	Pre-Set	Min. PSI	Flow l/h	Flow GPM
SS-075-N-S-1.3	0.3	2.8	305.0	1.3
SS-075-N-S-1.5	0.4	2.8	333.0	1.5
SS-075-N-S-1.8	0.6	2.9	406.0	1.8
SS-075-N-S-2.1	0.8	3	487.0	2.1
SS-075-N-S-2.6	1	3.2	598.0	2.6
SS-075-N-S-3.0	1.2	3.2	672.0	3.0
SS-075-N-S-3.4	1.4	3.2	775.0	3.4
SS-075-N-S-3.9	1.6	3.2	884.0	3.9
SS-075-N-S-4.4	1.8	3.2	993.0	4.4
SS-075-N-S-4.8	2	3.2	1100.0	4.8
SS-075-N-S-5.3	2.2	3.2	1201.0	5.3
SS-075-N-S-5.7	2.4	3.2	1294.0	5.7
SS-075-N-S-6.1	2.6	3.2	1379.0	6.1
SS-075-N-S-6.4	2.8	3.2	1457.0	6.4
SS-075-N-S-6.8	3	3.2	1544.0	6.8
SS-075-N-S-7.0	3.2	3.2	1593.0	7.0
SS-075-N-S-7.3	3.4	3.2	1653.0	7.3
SS-075-N-S-7.5	3.6	3.3	1709.0	7.5
SS-075-N-S-7.8	3.8	3.3	1761.0	7.8
SS-075-N-S-8.0	4	3.3	1821.0	8.0

Note: Min. Delta P Available at Selected Flow Rate.
See Website for Specific Flow Rate Settings Calculator

Simple Set - Flow Rate Charts

1"		1" Standard Flow Rate Cartridge		
Model Number	Pre-Set	Min. PSI	Flow l/h	Flow GPM
SS-1-N-S-1.8	0.3	3.9	400.0	1.8
SS-1-N-S-1.8	0.4	3.9	414.0	1.8
SS-1-N-S-2.1	0.6	3.9	470.0	2.1
SS-1-N-S-2.3	0.8	3.9	532.0	2.3
SS-1-N-S-2.7	1	3.9	618.0	2.7
SS-1-N-S-3.0	1.2	3.9	676.0	3.0
SS-1-N-S-3.4	1.4	3.9	762.0	3.4
SS-1-N-S-3.8	1.6	4	857.0	3.8
SS-1-N-S-4.2	1.8	4	961.0	4.2
SS-1-N-S-4.7	2	4	1071.0	4.7
SS-1-N-S-5.2	2.2	4	1182.0	5.2
SS-1-N-S-5.7	2.4	4	1286.0	5.7
SS-1-N-S-6.1	2.6	4	1381.0	6.1
SS-1-N-S-6.5	2.8	4	1467.0	6.5
SS-1-N-S-6.9	3	4.1	1560.0	6.9
SS-1-N-S-7.1	3.2	4.1	1611.0	7.1
SS-1-N-S-7.4	3.4	4.2	1673.0	7.4
SS-1-N-S-7.6	3.6	4.3	1730.0	7.6
SS-1-N-S-7.8	3.8	4.4	1781.0	7.8
SS-1-N-S-8.1	4	4.5	1830.0	8.1

1-1/4"		1-1/4" Standard Flow Rate Cartridge		
Model Number	Pre-Set	Min. PSI	Flow l/h	Flow GPM
SS-125-N-S-3.0	0.3	3	690.0	3.0
SS-125-N-S-3.2	0.4	3.1	735.0	3.2
SS-125-N-S-4.0	0.6	3.1	910.0	4.0
SS-125-N-S-4.8	0.8	3.1	1079.0	4.8
SS-125-N-S-5.5	1	3.2	1245.0	5.5
SS-125-N-S-6.2	1.2	3.2	1406.0	6.2
SS-125-N-S-6.9	1.4	3.2	1564.0	6.9
SS-125-N-S-7.6	1.6	3.2	1718.0	7.6
SS-125-N-S-8.2	1.8	3.2	1869.0	8.2
SS-125-N-S-8.9	2	3.2	2017.0	8.9
SS-125-N-S-9.5	2.2	3.2	2162.0	9.5
SS-125-N-S-10.1	2.4	3.2	2304.0	10.1
SS-125-N-S-10.8	2.6	3.2	2444.0	10.8
SS-125-N-S-11.4	2.8	3.2	2581.0	11.4
SS-125-N-S-12.1	3	3.2	2748.0	12.1
SS-125-N-S-12.3	3.2	3.2	2787.0	12.3
SS-125-N-S-12.5	3.4	3.3	2837.0	12.5
SS-125-N-S-12.7	3.6	3.3	2887.0	12.7
SS-125-N-S-12.9	3.8	3.4	2938.0	12.9
SS-125-N-S-13.2	4	3.5	3000.0	13.2

1-1/2"		1-1/2" Standard Flow Rate Cartridge		
Model Number	Pre-Set	Min. PSI	Flow l/h	Flow GPM
SS-150-N-S-2.4	0.3	3.0	541.0	2.4
SS-150-N-S-3.1	0.4	3.0	695.0	3.1
SS-150-N-S-5.7	0.6	3.0	1291.0	5.7
SS-150-N-S-8.2	0.8	3.0	1856.0	8.2
SS-150-N-S-10.9	1	3.0	2480.0	10.9
SS-150-N-S-12.8	1.2	3.1	2912.0	12.8
SS-150-N-S-15.0	1.4	3.2	3409.0	15.0
SS-150-N-S-17.1	1.6	3.4	3887.0	17.1
SS-150-N-S-19.1	1.8	3.5	4346.0	19.1
SS-150-N-S-21.1	2	3.6	4797.0	21.1
SS-150-N-S-23.0	2.2	3.7	5231.0	23.0
SS-150-N-S-24.9	2.4	3.8	5653.0	24.9
SS-150-N-S-26.7	2.6	3.9	6064.0	26.7
SS-150-N-S-28.5	2.8	3.9	6465.0	28.5
SS-150-N-S-30.3	3	4.0	6875.0	30.3
SS-150-N-S-31.0	3.2	4.2	7051.0	31.0
SS-150-N-S-31.6	3.4	4.4	7183.0	31.6
SS-150-N-S-32.2	3.6	4.5	7315.0	32.2
SS-150-N-S-32.8	3.8	4.7	7447.0	32.8
SS-150-N-S-33.4	4	4.9	7582	33.4

2"		2" Standard Flow Rate Cartridge		
Model Number	Pre-Set	Min. PSI	Flow l/h	Flow GPM
SS-2-N-S-2.6	0.3	4.9	596.0	2.6
SS-2-N-S-3.5	0.4	4.9	797.0	3.5
SS-2-N-S-7.1	0.6	4.9	1613.0	7.1
SS-2-N-S-10.8	0.8	4.9	2449.0	10.8
SS-2-N-S-15.5	1	4.9	3514.0	15.5
SS-2-N-S-18.3	1.2	4.9	4161.0	18.3
SS-2-N-S-22.1	1.4	4.9	5025.0	22.1
SS-2-N-S-25.9	1.6	4.9	5885.0	25.9
SS-2-N-S-29.7	1.8	4.9	6736.0	29.7
SS-2-N-S-33.3	2	4.9	7572.0	33.3
SS-2-N-S-36.9	2.2	4.9	8387.0	36.9
SS-2-N-S-40.4	2.4	4.9	9180.0	40.4
SS-2-N-S-43.8	2.6	4.9	9946.0	43.8
SS-2-N-S-47.1	2.8	4.9	10686.0	47.1
SS-2-N-S-50.9	3	4.9	11568.0	50.9
SS-2-N-S-53.2	3.2	5.0	12082.0	53.2
SS-2-N-S-56.1	3.4	5.1	12740.0	56.1
SS-2-N-S-58.9	3.6	5.3	13372.0	58.9
SS-2-N-S-61.6	3.8	5.4	13988.0	61.6
SS-2-N-S-64.7	4	5.5	14700.0	64.7

Note: Min. Delta P Available at Selected Flow Rate.
See Website for Specific Flow Rate Settings Calculator